

# TM2000 TRACE OXYGEN ANALYZER

Quickly responds to process change.

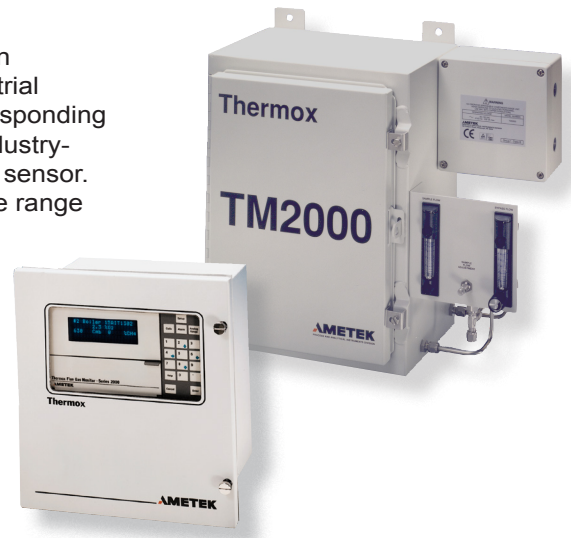
## KEY BENEFITS

- || RS-485 serial communications, 0 - 20/4 - 20 mA current outputs, and digital alarms for systems integration.
- || Save money on calibration gases by calibrating with percent gases, and then reading accurately in low ppm ranges.
- || Modular design for easy upgrades and field service.
- || User-friendly, menu driven software that includes helpful system status text messages allows you to begin using the TM2000 quickly. Advanced software diagnostics and on-line help further simplify the use of the TM2000.
- || The zirconium oxide sensor will not fail to a zero oxygen reading, as with other sensor technologies. Therefore, your process is always protected.
- || Optional sample bypass improves response times and keeps sensor inlet purged of dead volume.

## OPERATION

The TM2000 net oxygen analyzer protects industrial processes by quickly responding to changes using an industry-proven zirconium oxide sensor. It operates within a wide range of 0.1 ppm to 100% oxygen, and can accurately respond from atmosphere to low ppm oxygen levels in just seconds. In addition, the TM2000 can detect excess combustibles process upsets in the presence of very low ppm oxygen readings. This unique benefit is particularly important in cryogenic gas generating processes, where the TM2000 can distinguish between an oxygen upset condition and an excess combustibles upset condition.

The TM2000 is supported by the Series 2000 Controller, which comes complete with a standard weatherproof housing. The controller can be housed separately from the sensor.



## APPLICATIONS

- || Cryogenic gas generating systems
- || Nitrogen purity systems
- || Blanket gas analysis
- || Inert gas purity
- || Welding atmospheres
- || Air separation
- || Atmospheric oven control
- || Glove box applications

## SENSOR

**Operating Range:** 0.1 ppm O<sub>2</sub> to 100% O<sub>2</sub>

**Accuracy:** Percent: ± 1% of reading or .02% O<sub>2</sub> absolute, whichever is greater; ppm: ± 2% of reading or 0.5 ppm O<sub>2</sub> absolute, whichever is greater

**Response Time:** less than 5 seconds at 0.6 L/min. (1.3 scfh) over one decade

**Repeatability:** Percent: ± 0.5% of reading or 0.1% O<sub>2</sub> absolute, whichever is greater; ppm: ± 0.5% of reading or 0.1 ppm O<sub>2</sub> absolute, whichever is greater

**Ambient Temp.:** -18°C to 50°C (0°F to 122°F)

**Max. Inlet Temperature:** 71°C (160°F)

**Sample Flow:** 0.1 to 1.0 L/min (0.2 to 2.1 scfh)

**Power Requirements:** 115 VAC ±10%, 50/60 Hz. 288 VA (230 VAC optional)

**Calibration Gas Flow Rate:** 0.1 to 1.0 L/min (0.2 to 2.1 scfh) (0.6 L/min recommended)

**Zero Gas:** From 0.1 ppm to 10% O<sub>2</sub>, balance N<sub>2</sub>

**Span Gas:** Minimum one decade above zero gas (10 times greater)

**Enclosure:** Indoor/Outdoor NEMA 3R

# TM2000 ANALYZER

## SERIES 2000 CONTROL UNIT

**Display:** Four-line by 20-character vacuum fluorescent. Displays combinations of oxygen (0.1 ppm O<sub>2</sub> to 100%, autoranging), time and date, cell temperature, user programmable text, thermocouple mV or cell mV. Password protection, programmable pressure compensation and context-sensitive help are also provided.

**Analog Output:** Two isolated linear current outputs. Assign O<sub>2</sub>, cell temperature, thermocouple mV, or cell mV. Each output can be 4-20 mA, 0-20 mA, 20-4 mA, 20-0 mA, and is fully scalable. Hold or track during calibration and select degree of damping. Maximum load 1200 ohms.

**Alarms:** Two independent oxygen alarms, each high or low selectable. One alarm can be assigned as oxygen, calibrate or verify. Set relays to energize or deenergize on alarm.

**Contact Rating:** 0.5A, 30V, 10VA max. noninductive load, AC or DC

**Diagnostics:** Watchdog timer and service alarms. System test for A/D, RAM, EEPROM and keypad. Display line 4 reserved for full text error and diagnostic messages. Twenty entry exception log for automatically detected system events.

**Communications:** RS-485, 2-way addressable

**Ambient Temp.:** -10°C to 50°C (14°F to 122°F)

**Enclosure:** Standard weatherproof NEMA 4 (IP 56) wall/panel mount. Optional GP (General Purpose) wall mount, GP 19" rack mount, GP panel mount, or stainless steel weatherproof NEMA 4X (IP 56) wall/panel mount. All are UL Listed for NEC Class I, Division 2 areas. Purged and explosion-proof versions also available.

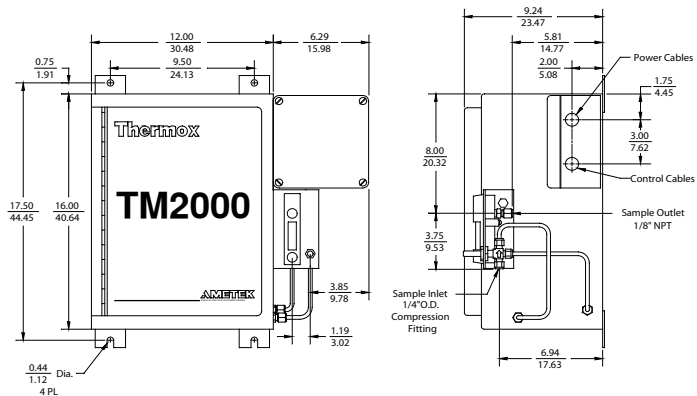
**Calibration:** Store last calibration and verification data. Selectable calibration gas run time and process recovery time. Timed automatic calibration with optional remote calibration unit. Oxygen cell lifetime extender. Single gas verify that analyzer is within calibration limits with alarm.

**Power Requirements:** Nominal 115-230 VAC ±10%, 47-63 Hz, 75 VA max.

**System Compliance**  
EMC Directive 2004/108/EC  
Low Voltage Directive 73/23/EEC

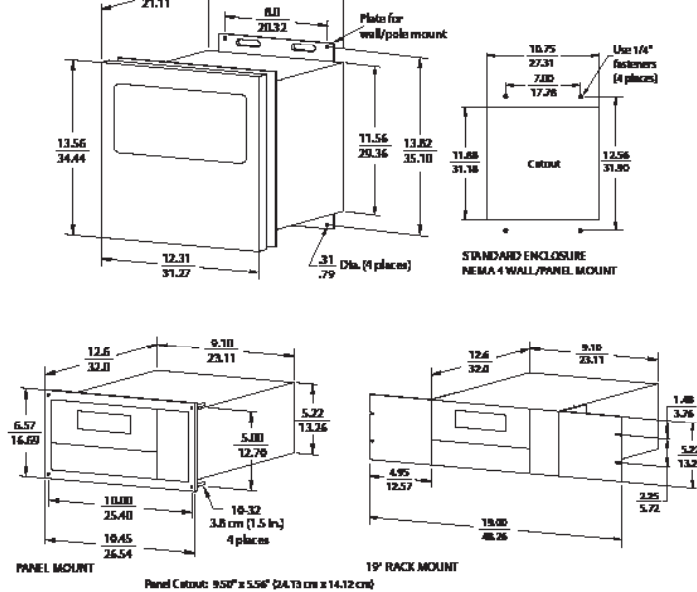
## SENSOR

APPROX WEIGHT: 30 LB / 13.6 KG



## CONTROL UNIT

APPROX. WEIGHTS:  
NEMA 4 WALL/PANEL MOUNT: 28 LB / 12.7 KG  
19" RACK MOUNT: 14 LB / 6.35 KG  
PANEL MOUNT: 14 LB / 6.35 KG



### NOTES:

1. All static performance characteristics are with operating variables constant.
2. System accuracy referenced to 0.1 to 10% calibrated range.
3. Response is to calibration gas.

**AMETEK**  
PROCESS INSTRUMENTS

150 Freeport Road, Pittsburgh, PA 15238  
Ph. +1-412-828-9040, Fax +1-412-826-0399  
www.ametekpi.com



© 2014, by AMETEK, Inc.  
All rights reserved. Printed in the U.S.A.  
F-0159 Rev. 5 (10/14)

One of a family of innovative process analyzer solutions from AMETEK Process Instruments.  
Specifications subject to change without notice.

### SALES, SERVICE AND MANUFACTURING:

**USA - Pennsylvania**  
150 Freeport Road, Pittsburgh PA 15238 • Tel: +1-412-828-9040, Fax: +1-412-826-0399

**USA - Delaware**  
455 Corporate Blvd., Newark DE 19702 • Tel: +1-302-456-4400, Fax: +1-302-456-4444

**Canada - Alberta**  
2876 Sunridge Way N.E., Calgary AB T1Y 7H2 • Tel: +1-403-235-8400, Fax: +1-403-248-3550

### WORLDWIDE SALES AND SERVICE LOCATIONS:

**USA - Houston, Texas**  
Tel: +1-713-466-4900, Fax: +1-713-849-1924

**BRAZIL**  
Tel: +55 19 2107 4100

**CHINA**  
Beijing / Tel: +86 10 8526 2111, Fax: +86 10 8526 2141  
Chengdu / Tel: +86 28 8675 8111, Fax: +86 28-8675 8141  
Shanghai / Tel: +86 21 6426 8111, Fax: +86 21 6426 7818

**USA - Austin, Texas**  
Tel: +1-512-252-2440, Fax: +1-515-252-2430

**FRANCE**  
Tel: +33 1 30 68 89 20, Fax: +33 1 30 68 89 99

**GERMANY**  
Tel: +49 21 59 91 36 0, Fax: +49 21 59 91 3639

**INDIA**  
Tel: +91 80 6782 3200, Fax: +91 80 6782 3232

**SINGAPORE**  
Tel: +65 6484 2388, Fax: +65 6481 6588

THE  
THERMOX<sup>®</sup>